

INSTRUCTIONS FOR INSTALLING A PRINTER INTERFACE KIT

CHECK THE PARTS RECEIVED IN THE KIT WITH THE PARTS LIST IN THESE INSTRUCTIONS. IF ANY PARTS ARE MISSING, CONTACT NATIONAL VENDORS' PARTS DEPARTMENT

Read these instructions carefully before installing the kit.
Keep these instructions for part numbers and for future reference.

This kit contains the following:

INDEX	PART NUMBER	DESCRIPTION	QUANTITY
1	9989561	PCB assembly	1
2	9984515	Harness	1
3	9984516	Modular adapter	1
4	9984518	Wire tie	1
	1470054	Kit installation instructions	

INSTALL THE PRINTER INTERFACE KIT ACCORDING TO THE FOLLOWING INSTRUCTIONS:

These instructions are designed to cover printer interface kit installation in several different machines. When following instructions, refer to the illustration(s) applicable to your machine.

WARNING

Lethal voltages are present inside the machine. Remove all electrical power from the machine to avoid personal injury, death, or damage to equipment.

1. Remove power from the machine.
2. Follow the procedures in your maintenance manual to gain access to the controller board.
3. SHOPPERTRON ONLY: Reverse J-clamp on the controller as shown in figure 3, detail A.
4. Attach the harness (2) to J200 of the PCB assembly (1).
5. Connect the PCB assembly (1) to J128 on the controller as shown in figure 1.
6. Route the harness (2) from the controller as shown (figure 2, 3, or 4).
7. Reconnect all connections and replace all parts you removed in step 2.
8. Connect the modular adapter (3) to the end of the harness.

NOTE

Wire ties are reusable. Do not cut.

9. Roll up the harness and modular adapter assembly to keep it free of other parts and to avoid pinching wires. Secure with wire tie (4).
10. Restore power to the machine.

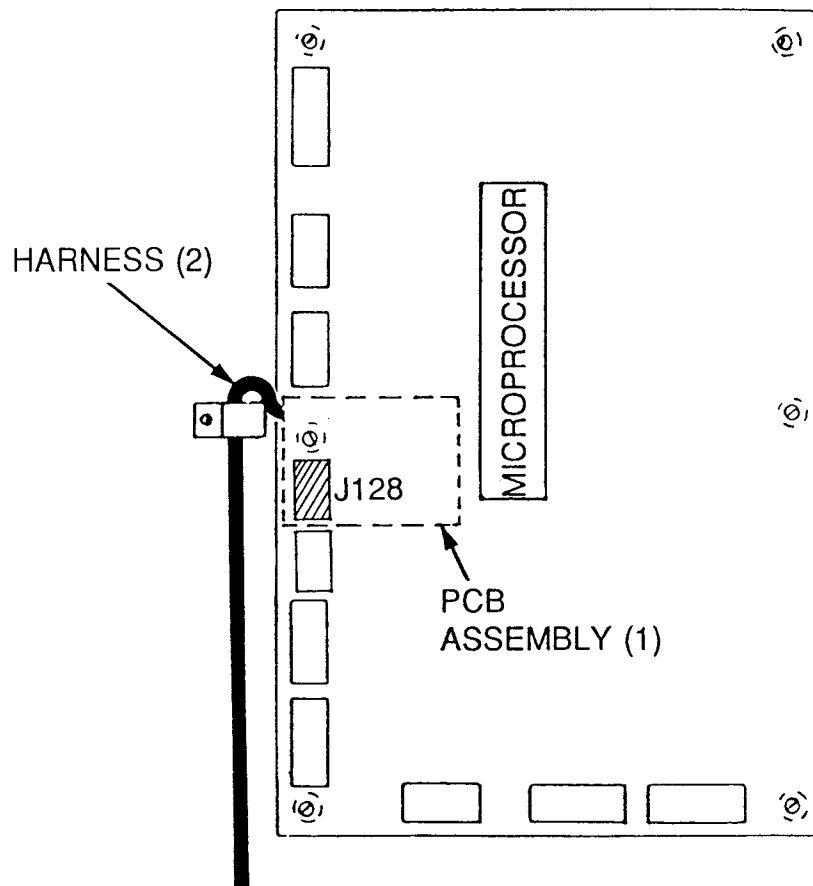


Figure 1

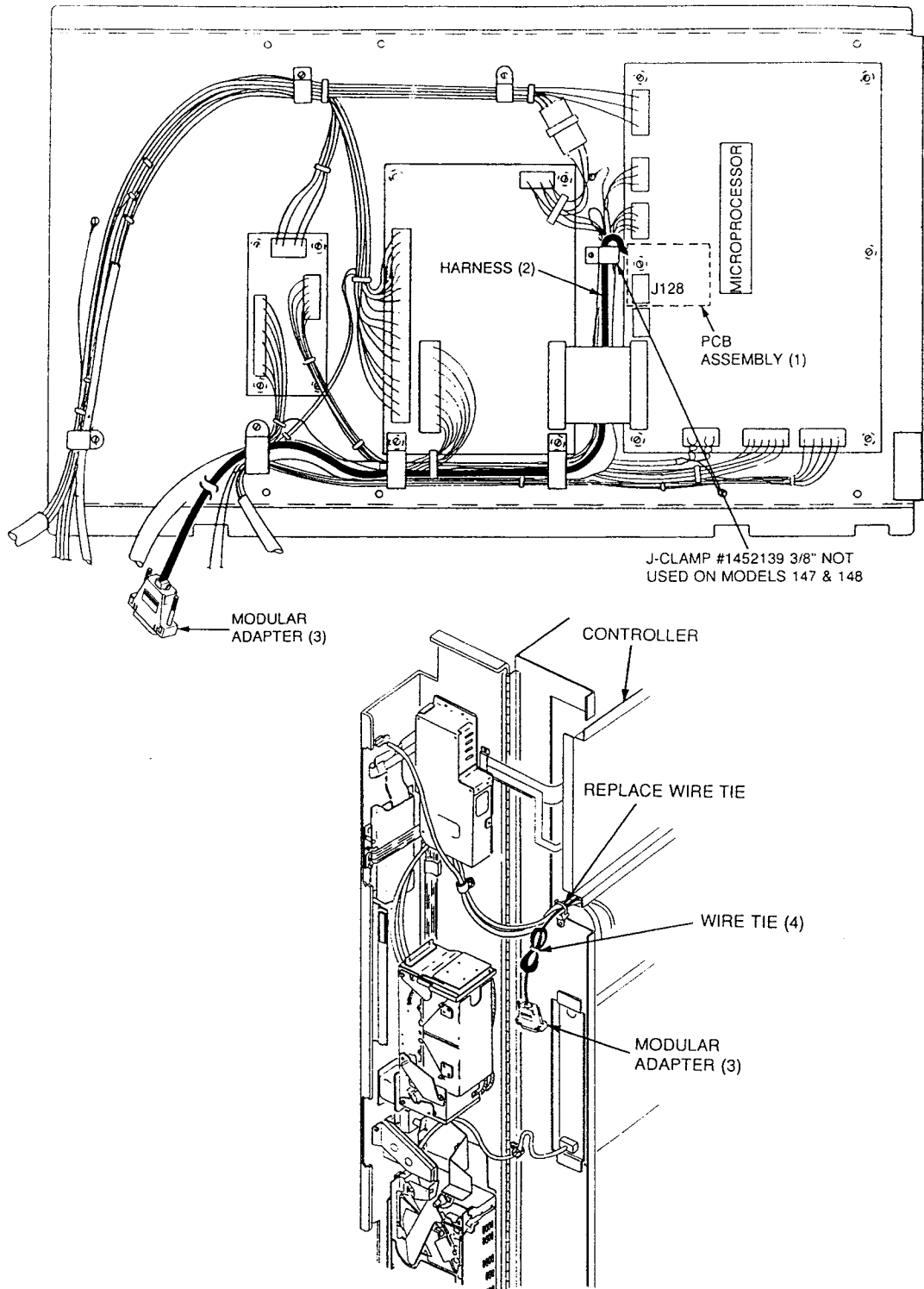


Figure 2

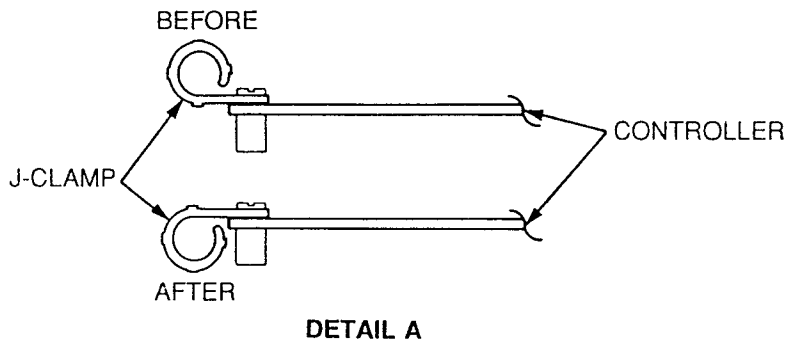
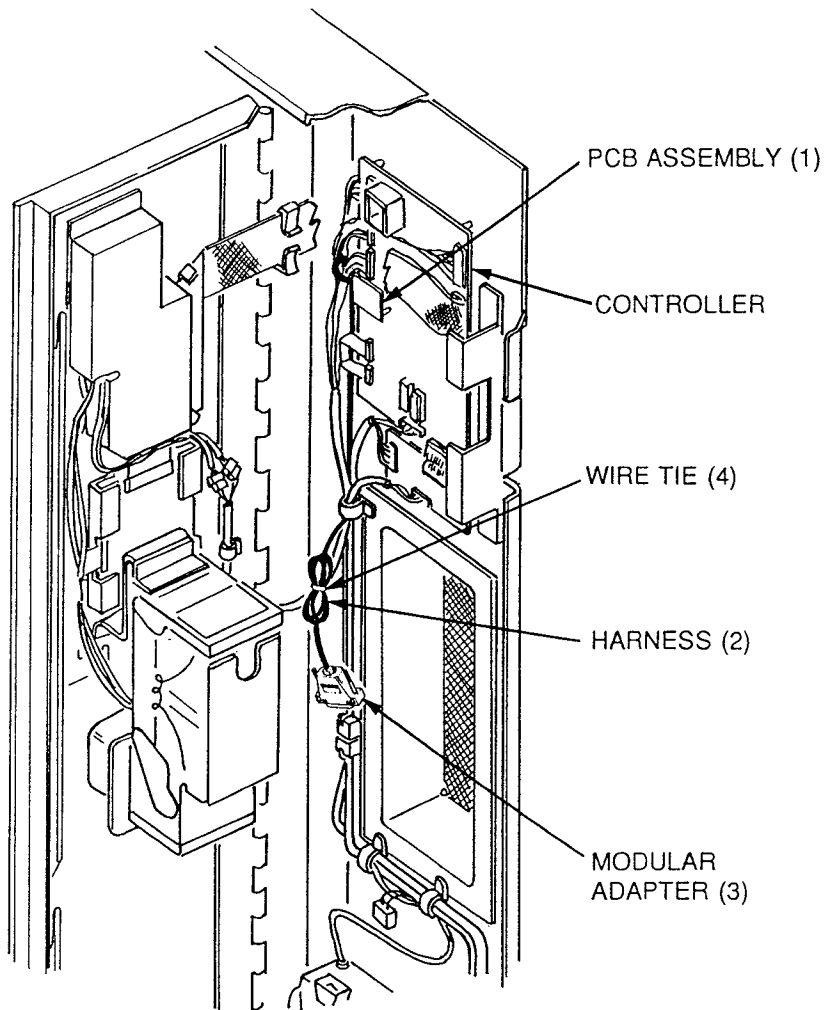


Figure 3

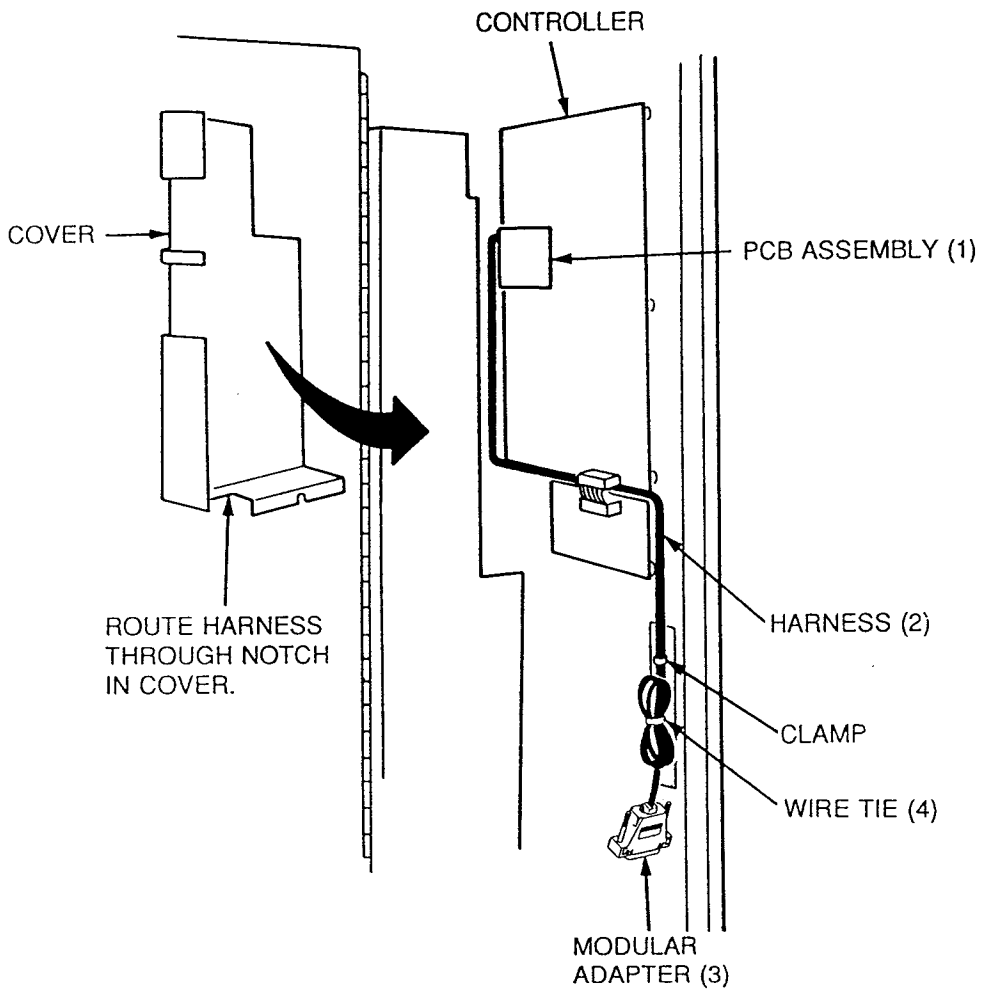


Figure 4